



Features

- Flow capacities up to 224 GPH (Duplex)
- Pressure Up to 1,800 PSI
- Modular design in aluminum housing
- Metering accuracy +/- 1%
- Easy capacity controls – manual/auto
- Built in safety – Internal relief valve
- Available in duplex to double flow capacity
- Ability to handle difficult liquids like slurries, off-gasing, and high viscosities

Specifications

Flow capacity adjustment – 0-100%
While the pump is **running** or **stopped**

Turndown Ratio

Stroke length – 10:1
Stroke frequency – 10:1
Combined – 100:1

Metering accuracy

Steady state - +/- 1 %
Linearity - +/- 1%
Combined - +/- 1%

Maximum process fluid temperature

Custom engineered metallic liquid end: 500F (260C)
Metallic liquid end/PTFE diaphragm: 250F(121C)
Plastic Head: 140F (60C)
Plunger stroke length - 2"
Hydraulic oil capacity

Displacement per stroke – by plunger size

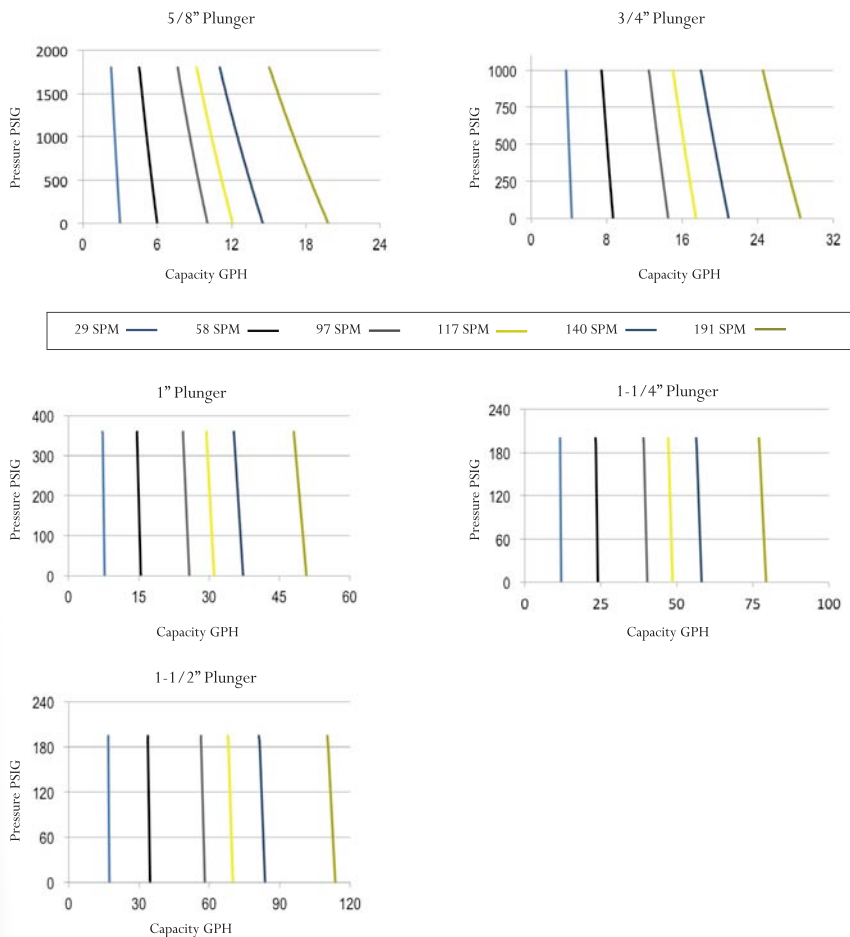
3/4" - 0.6988 cu. in. (11.45 ml)
1-1/4" - 1.8781 cu. in. (30.77 ml)
1" - 1.1365 cu. in. (18.62 ml)
1-1/2" - 2.0822 cu. in. (34.12 ml)

Liquid End Material Options

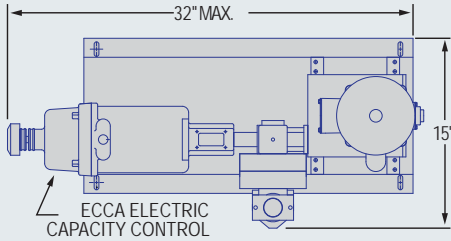
316 SS, Alloy 20, Hastelloy C,
PVC, PVDF and PTFE

AquFlow Model Number	Capacity GPH (LPH)	Pressure PSIG (bars)	Speed (SPM)	Plunger Diameter	Connection (NPT)
CD3T 0529-0X014	2.95 (11.2)	1,800 (124)	29	5/8"	3/8"
CD3T 0558-0X014	5.90 (22.3)		58		
CD3T 0597-0X014	9.90 (37.5)		97		
CD3T 0512-0X014	11.9 (45.0)		117		
CD3T 0514-0X014	14.3 (54.1)		140		
CD3T 0519-0X014	19.5 (73.8)		191		
CD3T 0629-0X014	4.25 (16.0)	1,000 (69)	29	3/4"	3/8"
CD3T 0658-0X014	8.55 (32.4)		58		
CD3T 0697-0X014	14.3 (54.1)		97		
CD3T 0612-0X014	17.2 (65.1)		117		
CD3T 0614-0X014	20.6 (78.0)		140		
CD3T 0619-0X015	28.1 (106.4)		191		
CD3T 0829-0X014	7.60 (28.8)	360 (25)	29	1"	3/8"
CD3T 0858-0X014	15.2 (57.5)		58		
CD3T 0897-0X014	25.4 (96.1)		97		
CD3T 0812-0X015	30.6 (115.8)		117		1/2"
CD3T 0814-0X015	36.7 (138.9)		140		
CD3T 0819-0X015	50.0 (189.3)		191		
CD3T 1029-0X014	211.8 (44.7)	210 (14)	29	1-1/4"	3/8"
CD3T 1058-0X014	23.7 (89.7)		58		
CD3T 1097-0X018	39.7 (150.3)		97		
CD3T 1012-0X018	47.9 (188.1)		117		1/2"
CD3T 1014-0X018	57.3 (216.9)		140		
CD3T 1019-0X018	78.2 (296.0)		191		
CD3T 1229-0X014	17.1 (64.7)	195 (13)	29	1-1/2"	3/8"
CD3T 1258-0X015	34.2 (129.5)		58		
CD3T 1297-0X018	57.2 (216.5)		97		
CD3T 1212-0X018	69.0 (261.2)		117		1/2"
CD3T 1214-0X018	82.5 (312.3)		140		
CD3T 1219-0X018	112.0 (424.0)		191		

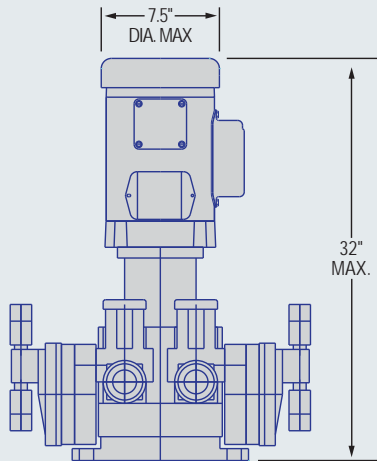
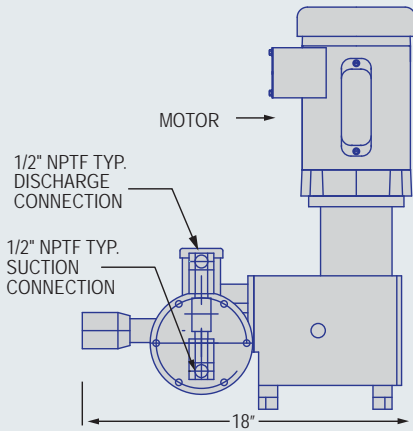
PERFORMANCE CURVE - TYPICAL



DIMENSIONS

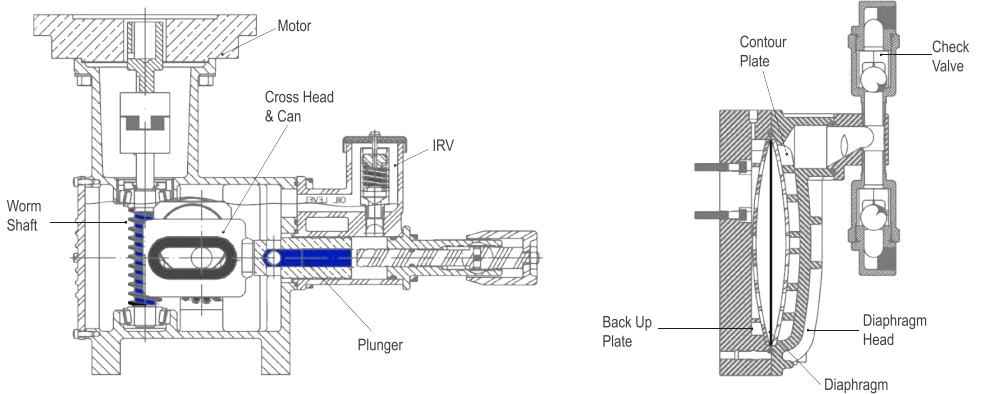


Series 2000 with ECCA



Series 2000 Duplex

CROSS SECTION



S2000 Options

Capacity Control Options: Dual Axis with both stroke length and stroke speed adjustable

Stroke Length Controls: Manual - Standard on all pumps
 Electric – Electric stepper motor. Capable of 4-20mA input
 Pneumatic – Runs on 30 PSI air for hazardous environment

Stroke Speed Controls: Variable Frequency Drive – AC/DC Special Liquid Handling

Liquid Handling Options

Tubular: For liquids with suspended solids/slurries that may clog. Good for high viscosity liquids also.

Degassing Valve: Some challenging liquids can cause air locking due to off gassing. Our pump head with degassing valve ensures accurate and consistent pumping by letting out gas bubbles from the pump head.

Double Ball Check Valve: To make doubly sure you have positive valve shut off.

Tungsten Carbide Valve Balls: For abrasive liquids.

Leak Detection Options

Leak Detection: There are two types of leak detection options available with AquFlow pumps.

Conductive: Conductivity probe between 2 diaphragms to sense any break/rupture.

Vacuum: Uses a vacuum switch between 2 diaphragms to sense rupture/ failure.

Other Options

Liquid Connections – NPT / FLANGE/ TRICLAMP

Motor Options: Enclosure: TEFC, TENV, Explosion Proof, Washdown
 Power Supply: ACV 115V, 230V, 380V, 460V, DC-12, 24, 90, 180, Single Phase, 3-Phase.