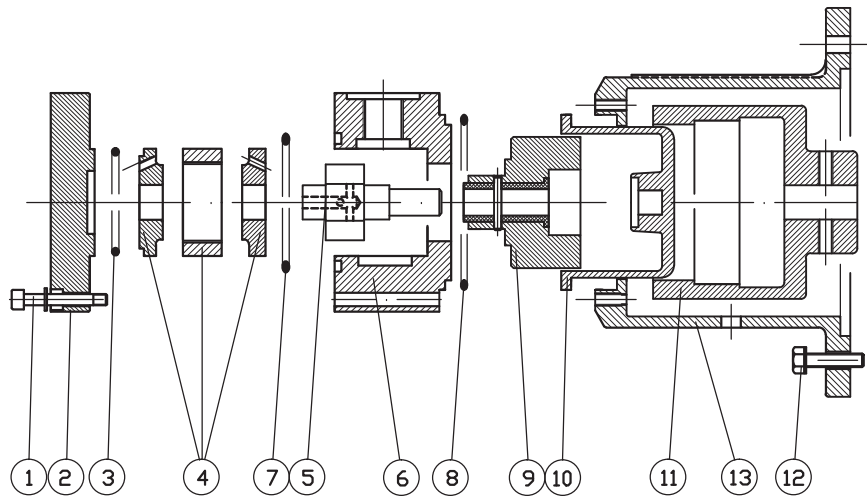


FEATURES/CARATTERISTICHE

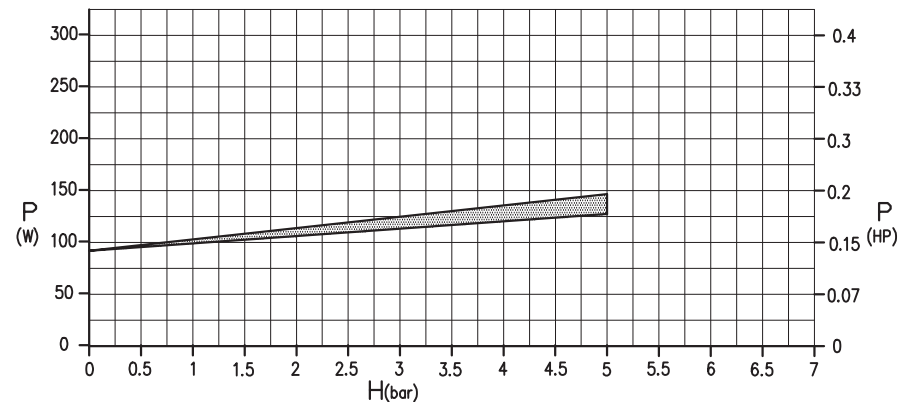
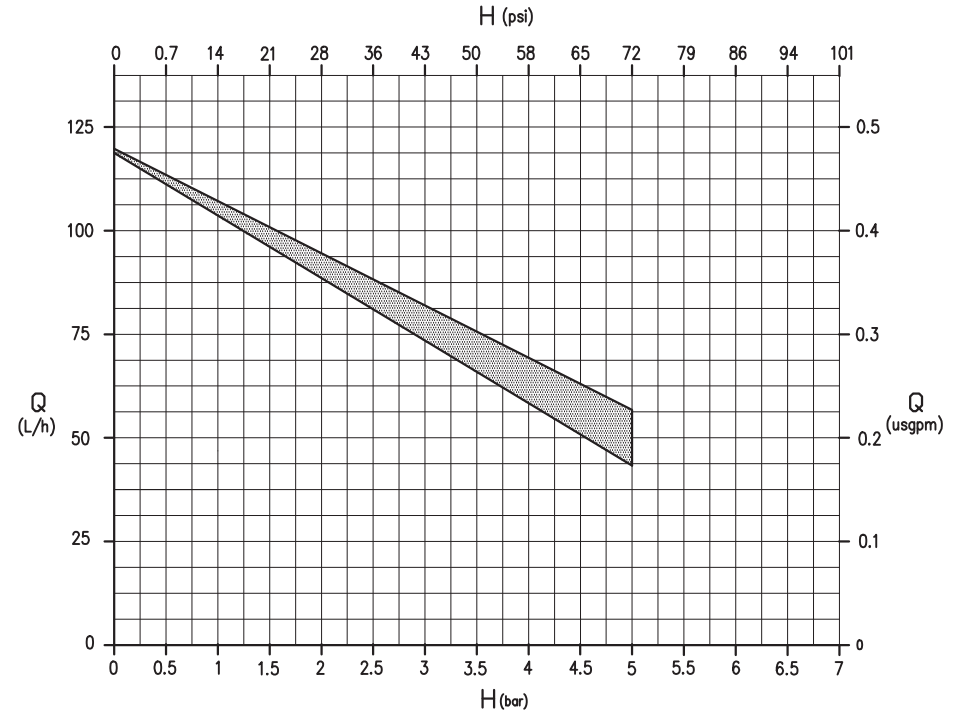
Materials available/Materiali disponibili: PP-PVDF  
 Max flow/Portata massima: 120 L/h  
 Max head/Prevalenza massima: 5 bar  
 Max temperature/Temperatura massima: PP 60°C/PVDF 90°C  
 Max viscosity/Viscosità massima: 200 cSt  
 Pressure rating/Pressione nominale massima: NP/PN 5

SECTION AND PARTS LIST/SEZIONE E LISTA PARTI

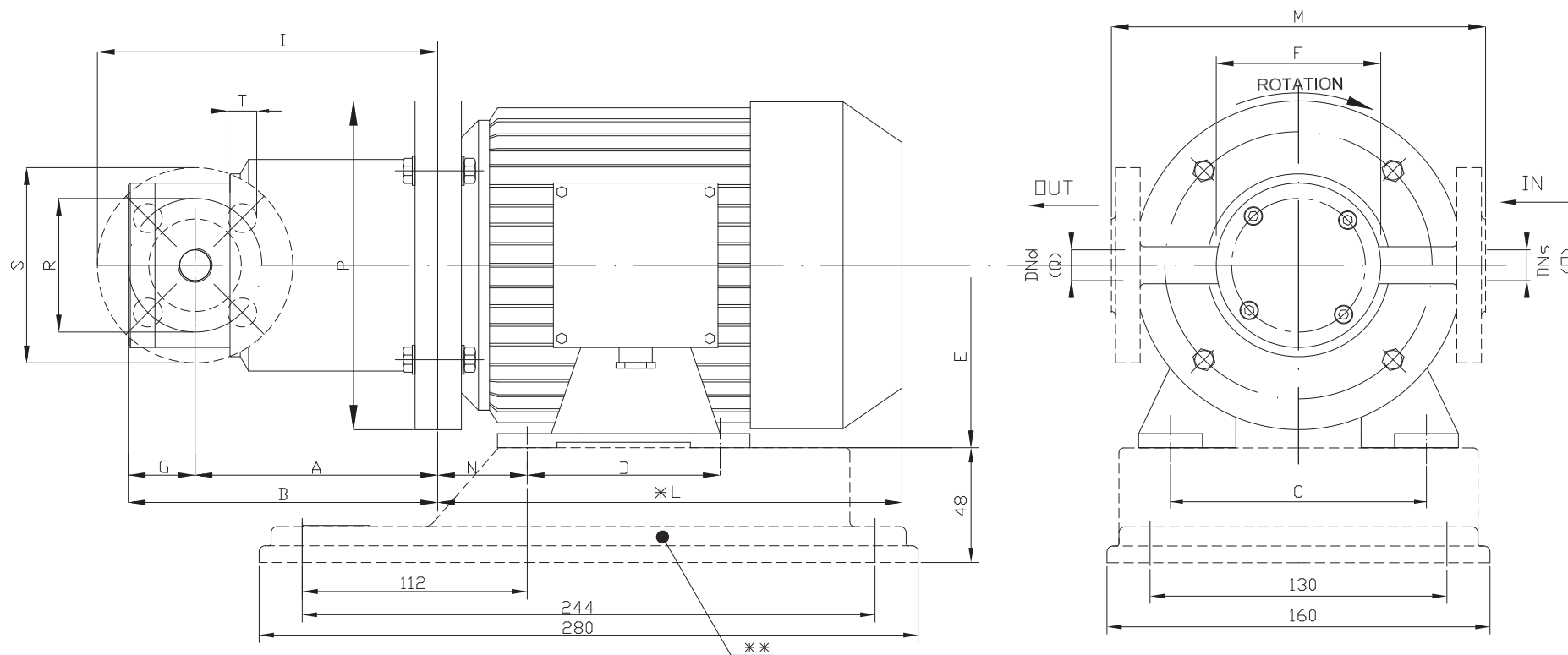


POS.	1	2	3	4	5	6	7	8	9	10	11	12	13
PART. DESCR.	SET SCREWS	END COVER	O-RING	FLANGES STATOR VANES+PINS	ROTOR SHAFT	PUMP CASING	O-RING	O-RING	INTERNAL MAGNET	REAR CASING	EXTERNAL MAGNET	SET SCREWS	BRACKET
MAT.	AI SI 304	PP PVDF	EPDM VITON	GRAPHITE+PVDF	PVDF	PP PVDF	EPDM VITON	EPDM VITON	PP PVDF	PP PVDF	C40+NdFeb	AI SI 304	ALUMINIUM

CURVES/CURVE 50HZ-1450 RPM



DIMENSIONS/DIMENSIONI D'INGOMBRO



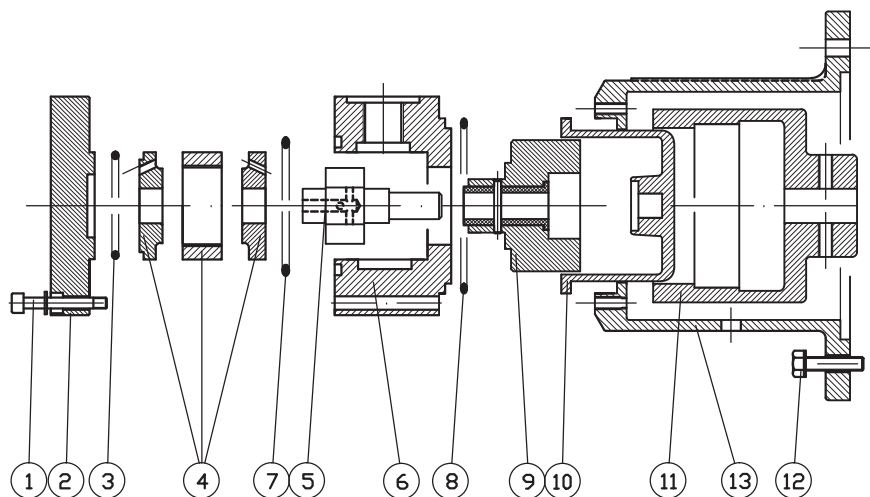
PUMP TYPE	MOTOR FLANGE B3-B5	POT. Kw	DIMENSIONS - mm -													FLANGES DIMENSIONS-mm DN15 - PN 16					
			A	B	C	D	E	F	G	I	*L	M	N	(O)	P	(Q)	R	S	T	DN <sub>s</sub>	DN <sub>d</sub>
HPP-HPF 100 PP-PVDF	G 71 4B	0.37	128	164	112	90	71	90	36	176	215	182	45	3/8"G.	160	3/8"G.	65	95	14	15	15

\* Different according to the manufacturer / Diverso a seconda del fornitore  
\*\* OPTIONAL: Baseplate/Piede d'appoggio

**FEATURES/CARATTERISTICHE**

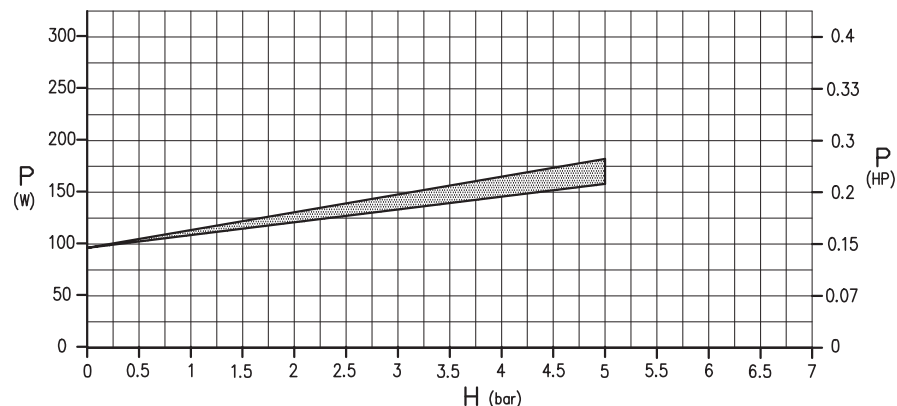
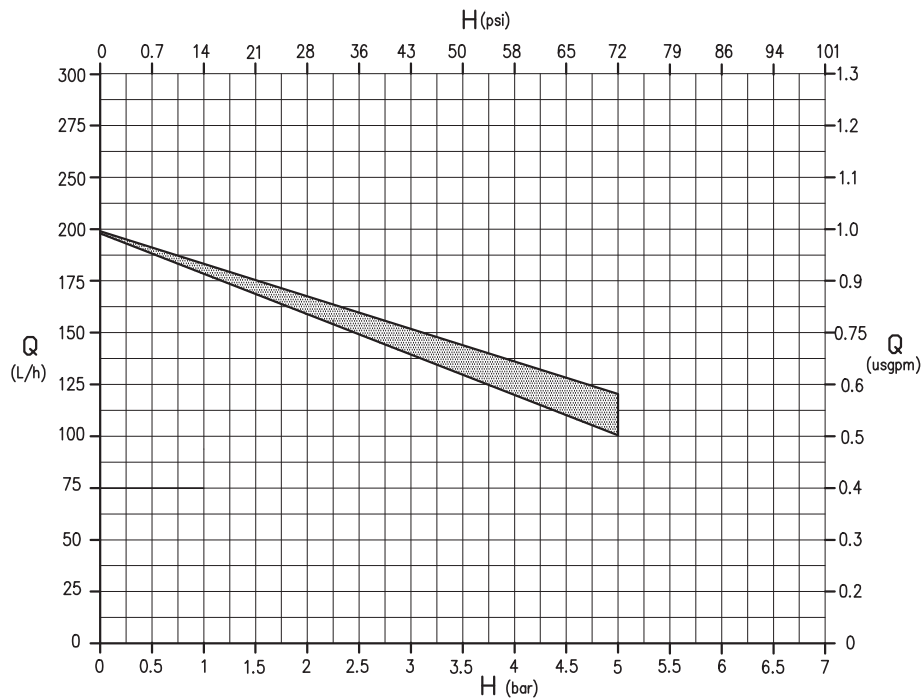
Materials available/Materiali disponibili: PP-PVDF  
 Max flow/Portata massima: 200 L/h  
 Max head/Prevalenza massima: 5 bar  
 Max temperature/Temperatura massima: PP 60°C/PVDF 90°C  
 Max viscosity/Viscosità massima: 200 cSt  
 Pressure rating/Pressione nominale massima: NP/PN 5

**SECTION AND PARTS LIST/SEZIONE E LISTA PARTI**

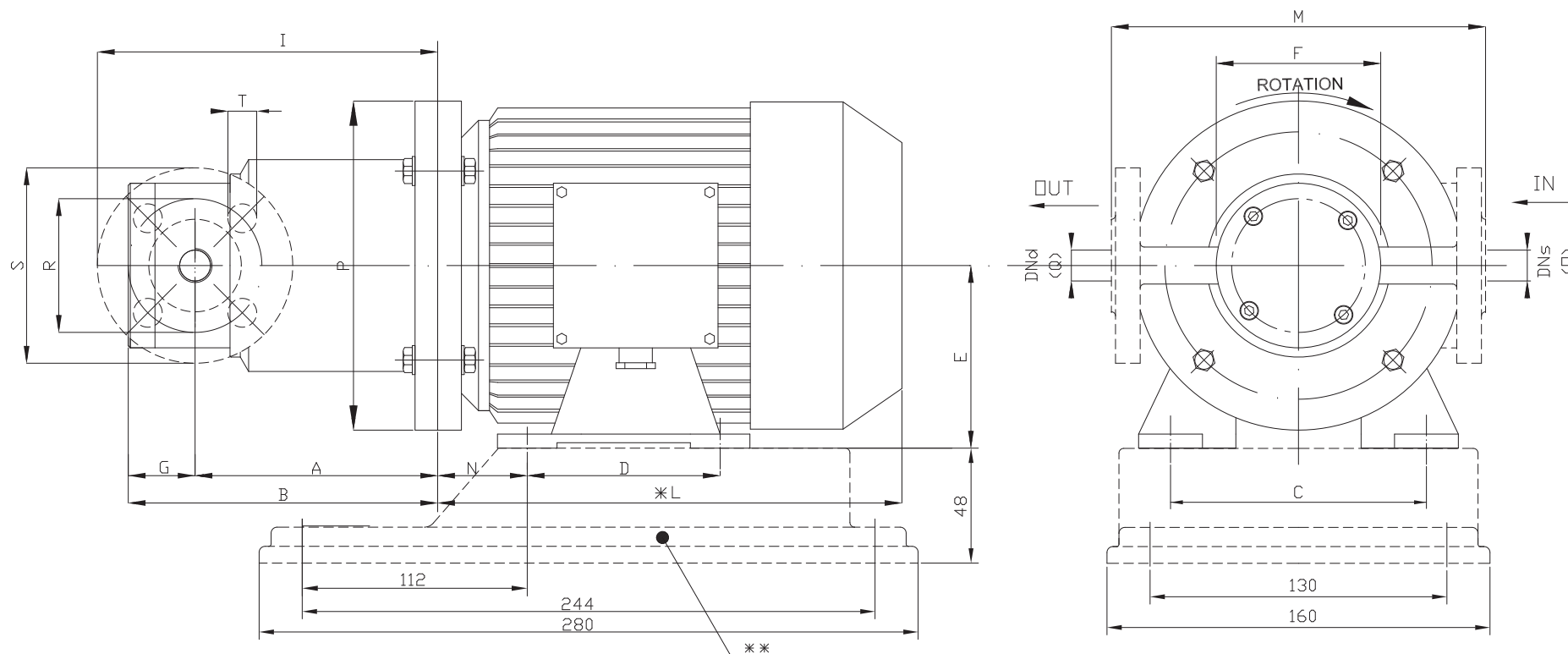


POS.	1	2	3	4	5	6	7	8	9	10	11	12	13
PART DESCR.	SET SCREWS	END COVER	O-RING	FLANGES STATOR VANES+PINS	ROTOR SHAFT	PUMP CASING	O-RING	O-RING	INTERNAL MAGNET	REAR CASING	EXTERNAL MAGNET	SET SCREWS	BRACKET
MAT.	AISI 304	PP PVDF	EPDM VITON	GRAPHITE+PVDF	PVDF	PP PVDF	EPDM VITON	EPDM VITON	PP PVDF	PP PVDF	C40+NdFeb	AISI 304	ALUMINIUM

**CURVES/CURVE 50HZ-1450 RPM**



DIMENSIONS/DIMENSIONI D'INGOMBRO



PUMP TYPE	MOTOR FLANGE B3-B5	POT. Kw	DIMENSIONS - mm -													FLANGES DIMENSIONS-mm DN15 - PN 16					
			A	B	C	D	E	F	G	I	*L	M	N	(O)	P	(Q)	R	S	T	DN <sub>s</sub>	DN <sub>d</sub>
HPP-HPF 200 PP-PVDF	G 71 4B	0.37	128	164	112	90	71	90	36	176	215	182	45	3/8"G.	160	3/8"G.	65	95	14	15	15

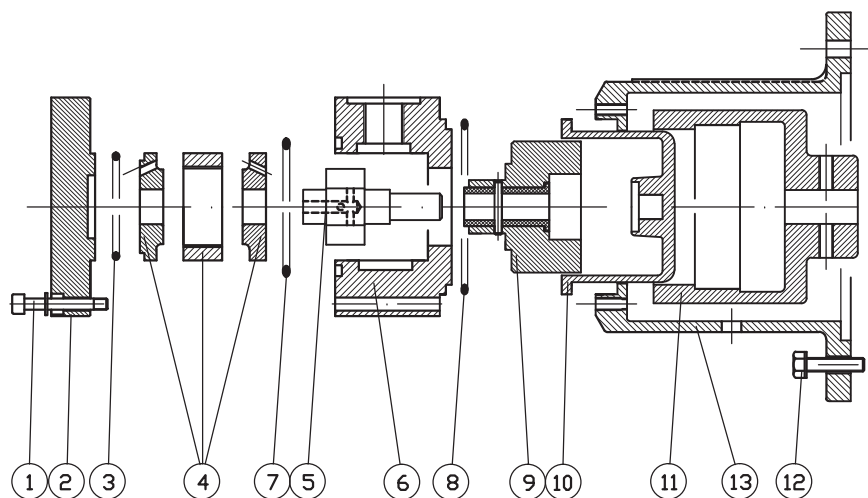
\* Different according to the manufacturer / Diverso a seconda del fornitore

\*\* OPTIONAL: Baseplate/Piede d'appoggio

FEATURES/CARATTERISTICHE

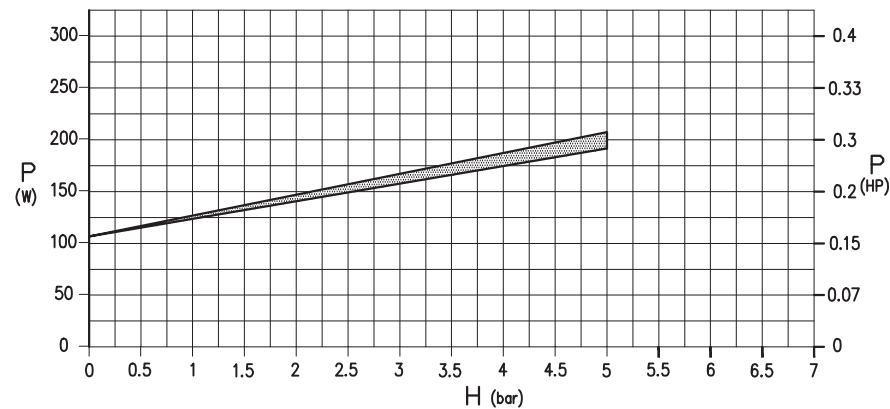
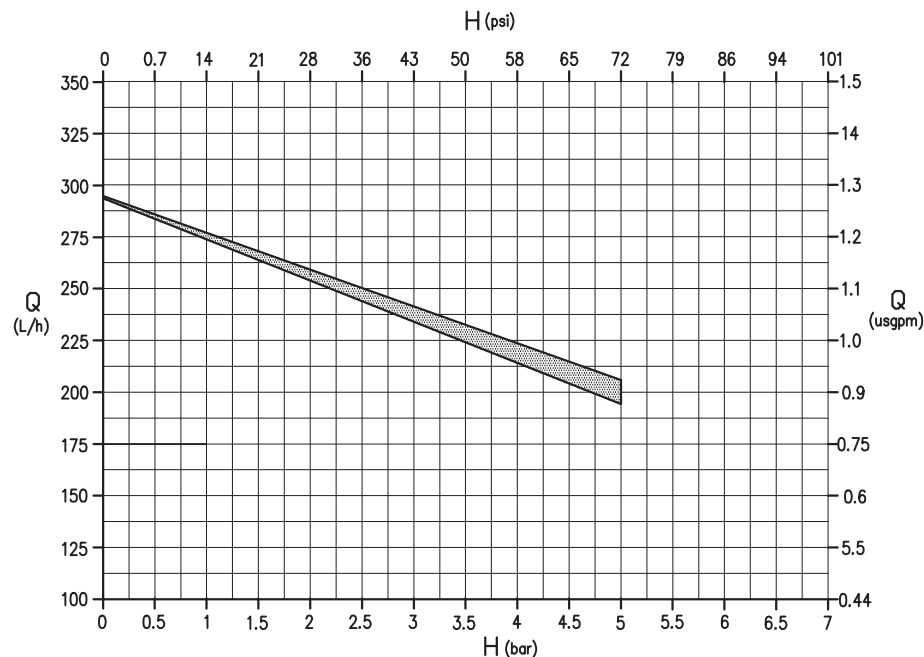
Materials available/Materiali disponibili:	PP-PVDF
Max flow/Portata massima:	290 L/h
Max head/Prevalenza massima:	5 bar
Max temperature/Temperatura massima:	PP 60°C/PVDF 90°C
Max viscosity/Viscosità massima:	200 cSt
Pressure rating/Pressione nominale massima:	NP/PN 5

SECTION AND PARTS LIST/SEZIONE E LISTA PARTI

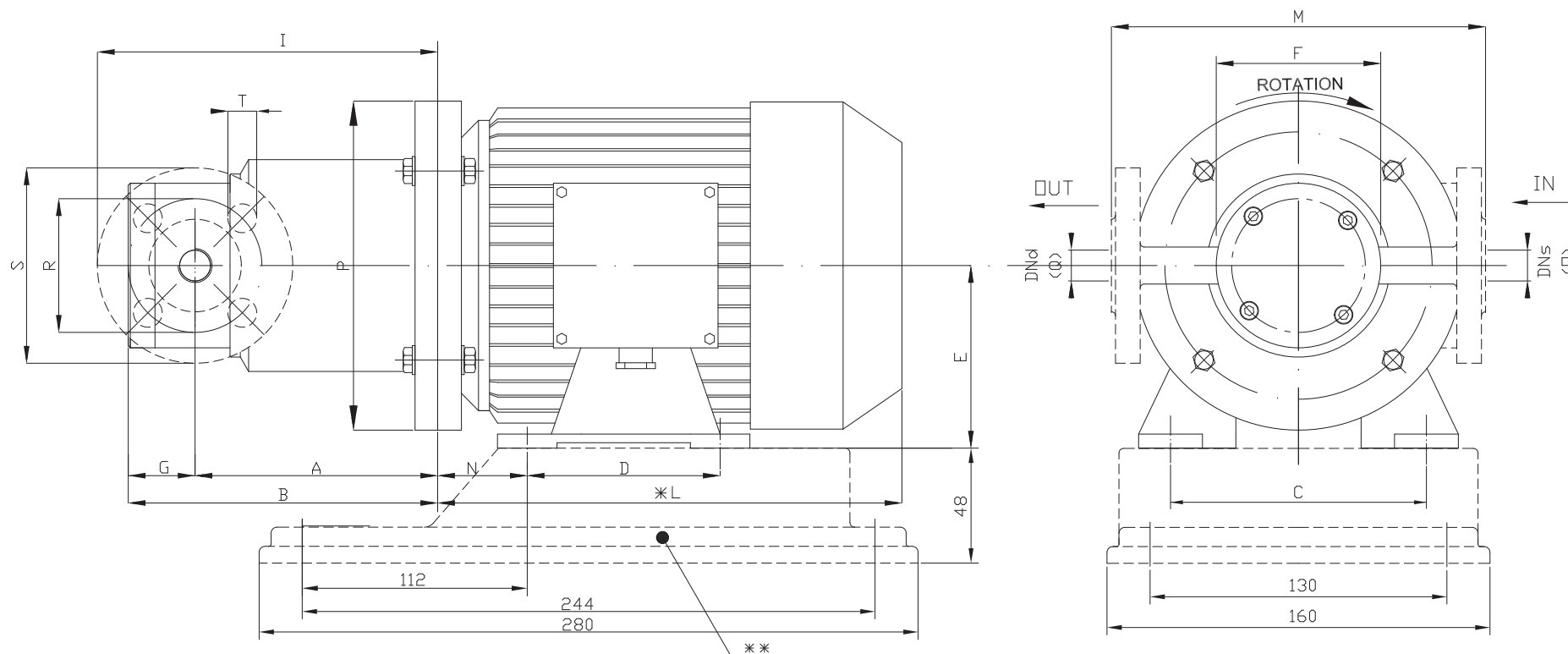


POS.	1	2	3	4	5	6	7	8	9	10	11	12	13
PART DESCR.	SET SCREWS	END COVER	O-RING	FLANGES STATOR VANES+PINS	ROTOR SHAFT	PUMP CASING	O-RING	O-RING	INTERNAL MAGNET	REAR CASING	EXTERNAL MAGNET	SET SCREWS	BRACKET
MAT.	AIISI 304	PP PVDF	EPDM VITON	GRAPHITE+PVDF	PVDF	PP PVDF	EPDM VITON	EPDM VITON	PP PVDF	PP PVDF	C40+NdFeb	AIISI 304	ALUMINIUM

CURVES/CURVE 50HZ-1450 RPM



DIMENSIONS/DIMENSIONI D'INGOMBRO



PUMP TYPE	MOTOR FLANGE B3-B5	POT. Kw	DIMENSIONS - mm -													FLANGES DIMENSIONS-mm DN15 - PN 16					
			A	B	C	D	E	F	G	I	*L	M	N	(O)	P	(Q)	R	S	T	DNs	DNd
HPP-HPF 300 PP-PVDF	G 71 4B	0.37	128	164	112	90	71	90	36	176	215	182	45	3/8"G.	160	3/8"G.	65	95	14	15	15

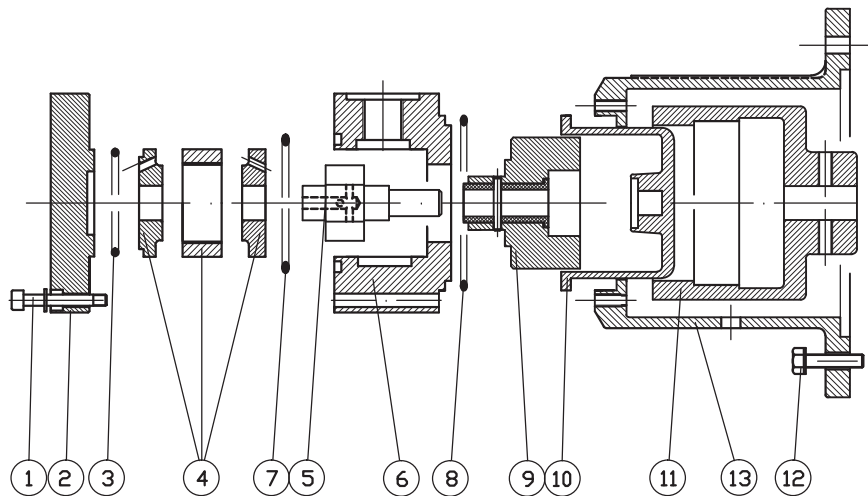
\* Different according to the manufacturer / Diverso a seconda del fornitore

\*\* OPTIONAL: Baseplate/Piede d'appoggio

FEATURES/CARATTERISTICHE

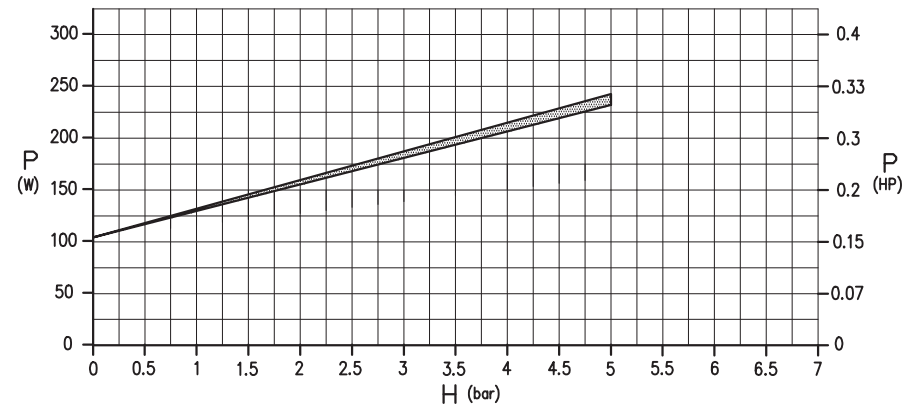
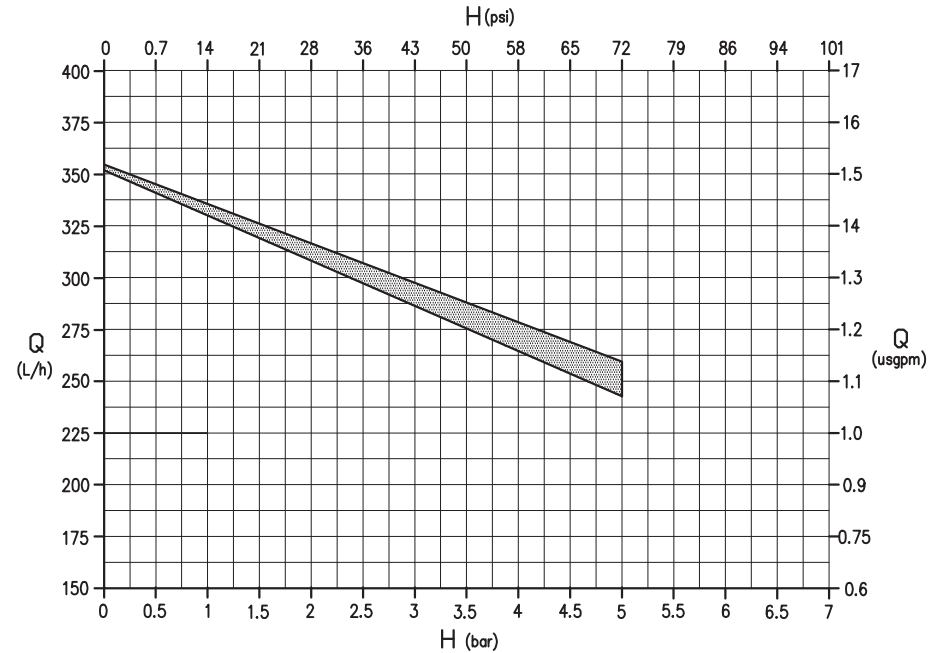
Materials available/Materiali disponibili:	PP-PVDF
Max flow/Portata massima:	360 L/h
Max head/Prevalenza massima:	5 bar
Max temperature/Temperatura massima:	PP 60°C/PVDF 90°C
Max viscosity/Viscosità massima:	200 cSt
Pressure rating/Pressione nominale massima:	NP/PN 5

SECTION AND PARTS LIST/SEZIONE E LISTA PARTI

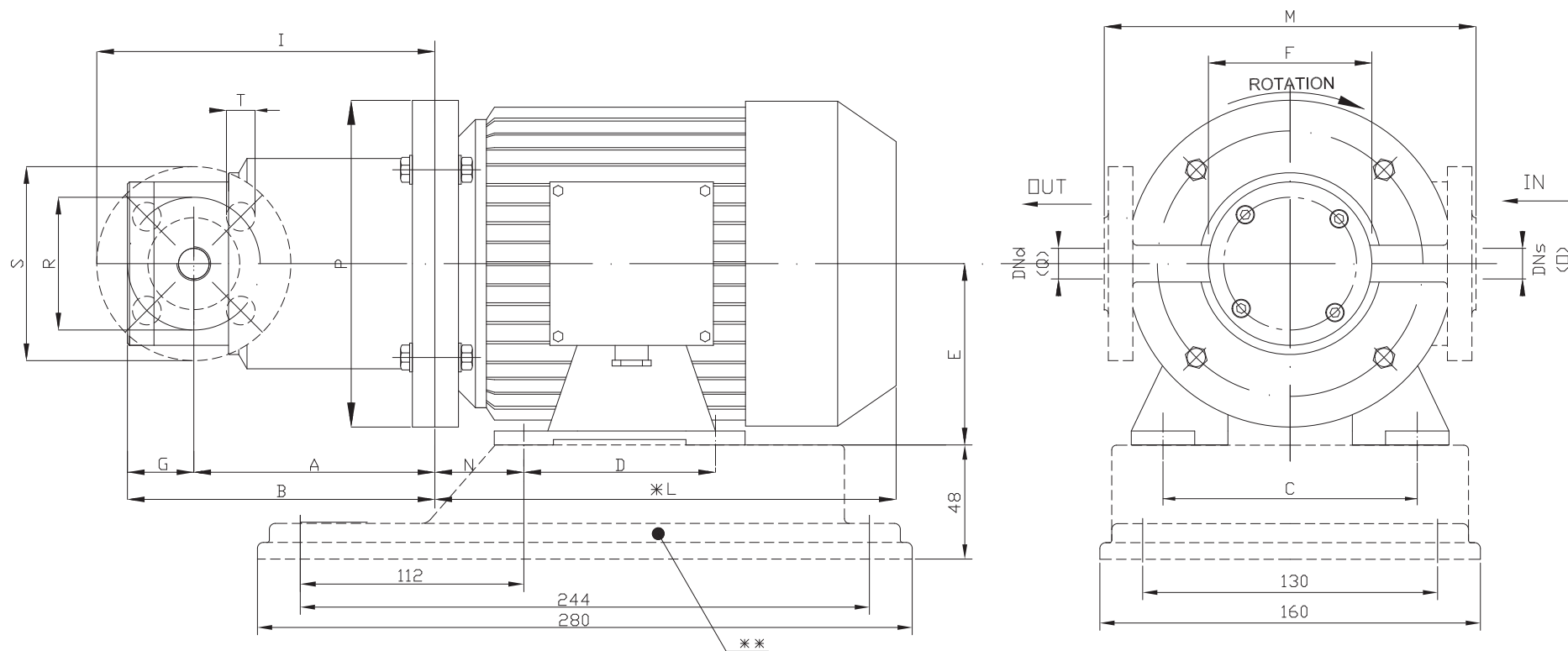


POS.	1	2	3	4	5	6	7	8	9	10	11	12	13
PART DESCR.	SET SCREWS	END COVER	O-RING	FLANGES STATOR VANES+PINS	ROTOR SHAFT	PUMP CASING	O-RING	O-RING	INTERNAL MAGNET	REAR CASING	EXTERNAL MAGNET	SET SCREWS	BRACKET
MAT.	AISI 304	PP PVDF	EPDM VITON	GRAPHITE+PVDF	PVDF	PP PVDF	EPDM VITON	EPDM VITON	PP PVDF	PP PVDF	C40+NdFeb	AISI 304	ALUMINIUM

CURVES/CURVE 50HZ-1450 RPM



DIMENSIONS/DIMENSIONI D'INGOMBRO



PUMP TYPE	MOTOR FLANGE B3-B5	POT. Kw	DIMENSIONS - mm -													FLANGES DIMENSIONS-mm DN15 - PN 16					
			A	B	C	D	E	F	G	I	*L	M	N	(O)	P	(Q)	R	S	T	DNs	DNd
HPP-HPF 400 PP-PVDF	G 71 4B	0.37	128	164	112	90	71	90	36	176	215	182	45	3/8"G.	160	3/8"G.	65	95	14	15	15

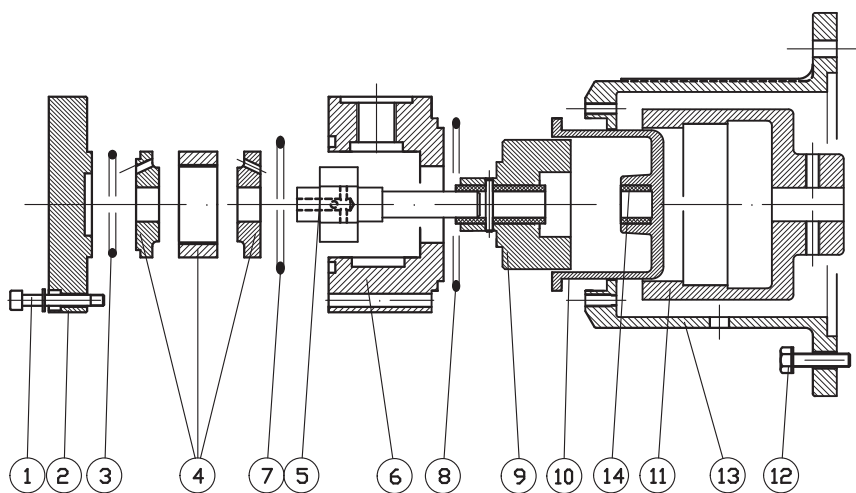
\* Different according to the manufacturer / Diverso a seconda del fornitore  
 \*\* OPTIONAL: Baseplate/Piede d'appoggio



## FEATURES/CARATTERISTICHE

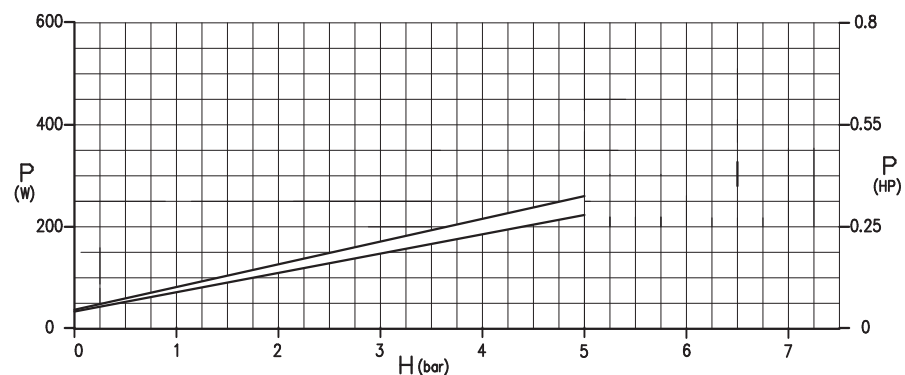
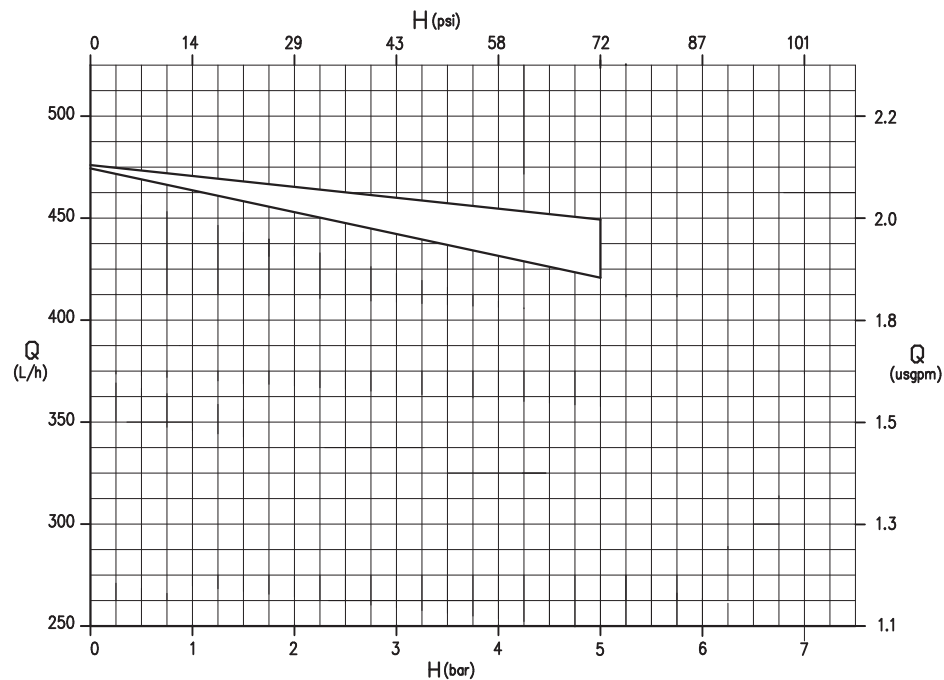
Materials available/Materiali disponibili:	PP-PVDF
Max flow/Portata massima:	470 L/h
Max head/Prevalenza massima:	5 bar
Max temperature/Temperatura massima:	PP 60°C/PVDF 90°C
Max viscosity/Viscosità massima:	200 cSt
Pressure rating/Pressione nominale massima:	NP/PN 5

## SECTION AND PARTS LIST/SEZIONE E LISTA PARTI



POS.	1	2	3	4	5	6	7	8	9	10	11	12	13	14
PART DESCR.	SET SCREWS	END COVER	O-RING	FLANGES STATOR VANES+PINS	ROTOR SHAFT	PUMP CASING	O-RING	O-RING	INTERNAL MAGNET	REAR CASING	EXTERNAL MAGNET	SET SCREWS	BRACKET	BEARING
MAT.	AISI 304	PP PVDF	EPDM VITON	GRAPHITE+PVDF	PVDF	PP PVDF	EPDM VITON	EPDM VITON	PP PVDF	PP PVDF	C40+Ndfab	AISI 304	ALUMINIUM	PTFEC

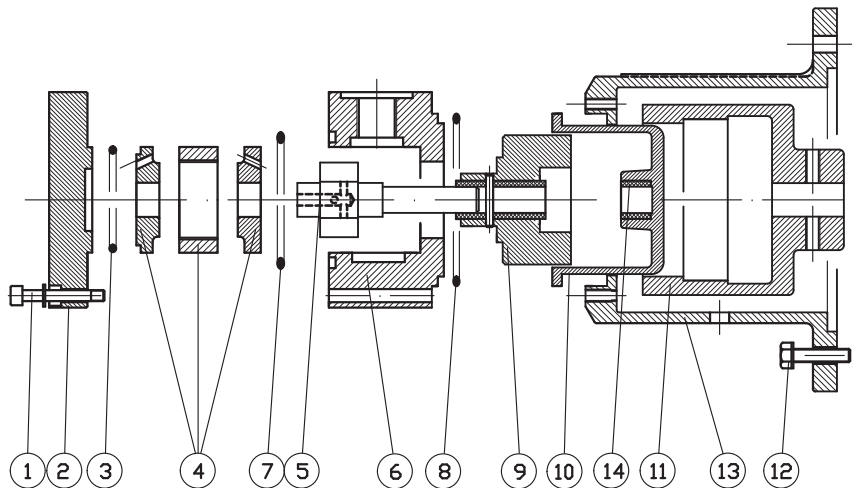
## CURVES/CURVE 50HZ-1450 RPM



## FEATURES/CARATTERISTICHE

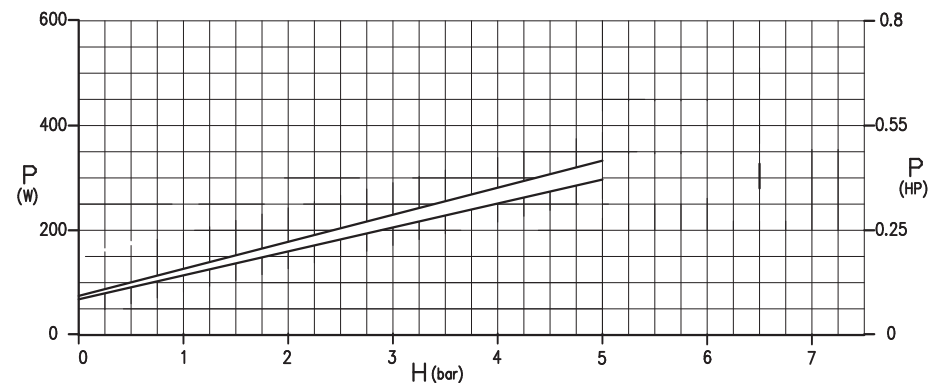
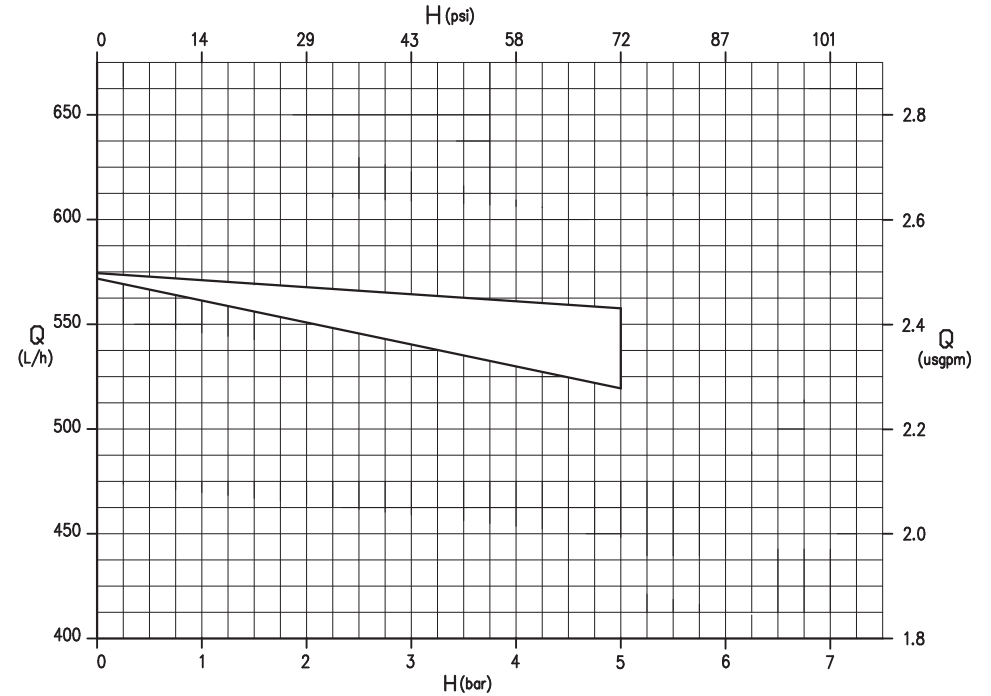
Materials available/Materiali disponibili:	PP-PVDF
Max flow/Portata massima:	570 L/h
Max head/Prevalenza massima:	5 bar
Max temperature/Temperatura massima:	PP 60°C/PVDF 90°C
Max viscosity/Viscosità massima:	200 cSt
Pressure rating/Pressione nominale massima:	NP/PN 5

## SECTION AND PARTS LIST/SEZIONE E LISTA PARTI



POS.	1	2	3	4	5	6	7	8	9	10	11	12	13	14
PART DESCR.	SET SCREWS	END COVER	O-RING	FLANGES STATOR VANES+PINS	ROTOR SHAFT	PUMP CASING	O-RING	O-RING	INTERNAL MAGNET	REAR CASING	EXTERNAL MAGNET	SET SCREWS	BRACKET	BEARING
MAT.	AISI 304	PP PVDF	EPDM VITON	GRAPHITE+PVDF	PVDF	PP PVDF	EPDM VITON	EPDM VITON	PP PVDF	PP PVDF	C40+ NdFeb	AISI 304	ALUMINIUM	PTFEC

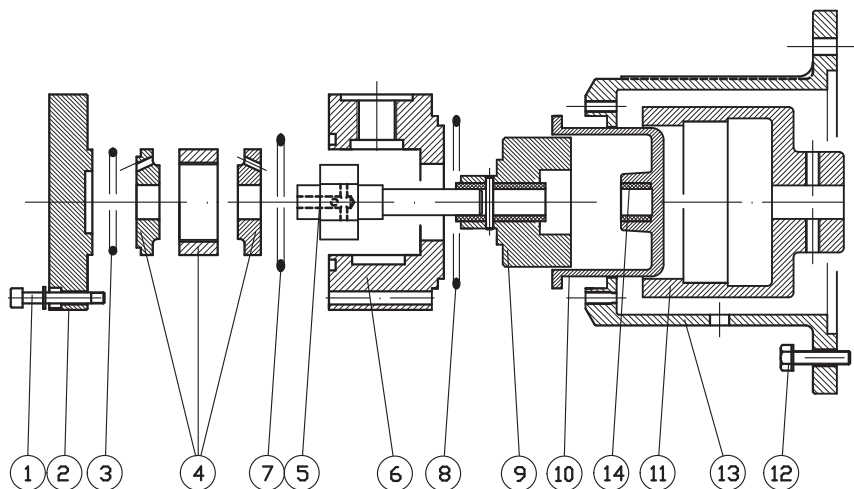
## CURVES/CURVE 50HZ-1450 RPM



## FEATURES/CARATTERISTICHE

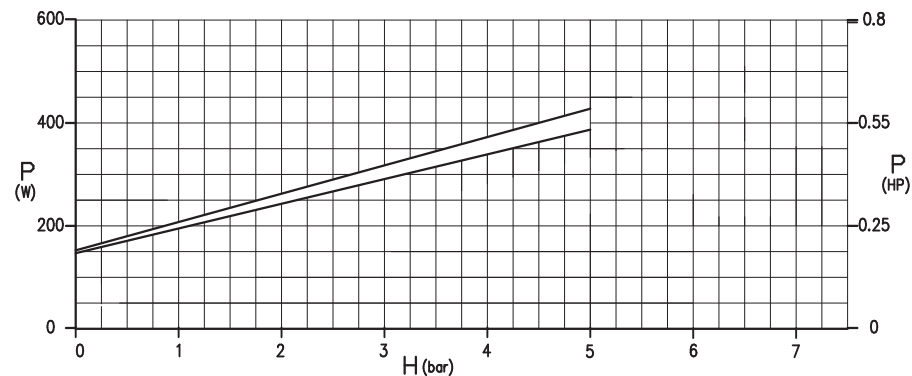
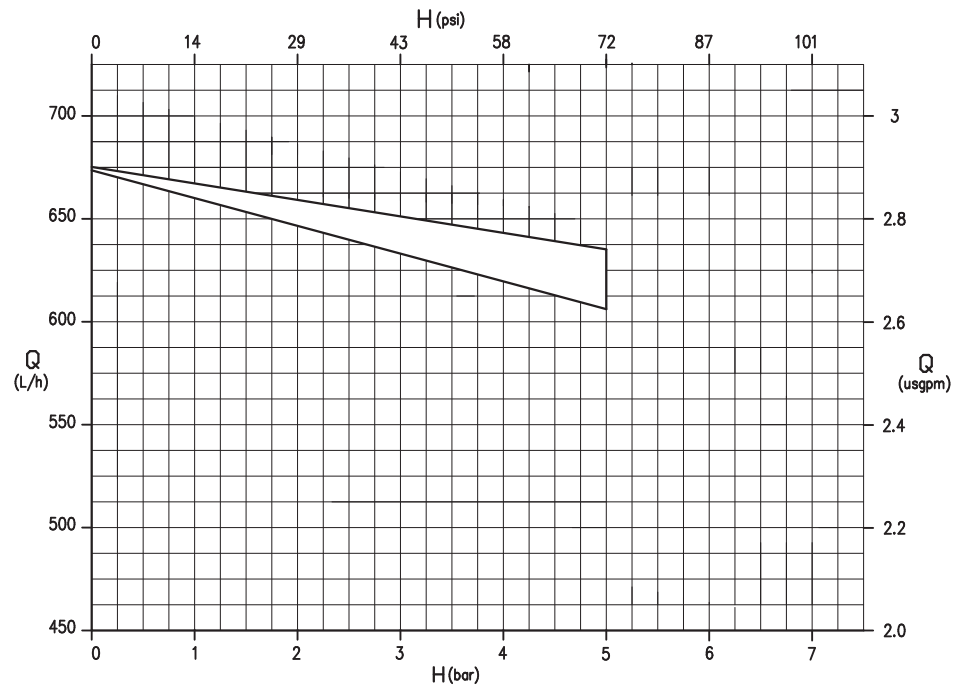
Materials available/Materiali disponibili:	PP-PVDF
Max flow/Portata massima:	670 L/h
Max head/Prevalenza massima:	5 bar
Max temperature/Temperatura massima:	PP 60°C/PVDF 90°C
Max viscosity/Viscosità massima:	200 cSt
Pressure rating/Pressione nominale massima:	NP/PN 5

## SECTION AND PARTS LIST/SEZIONE E LISTA PARTI

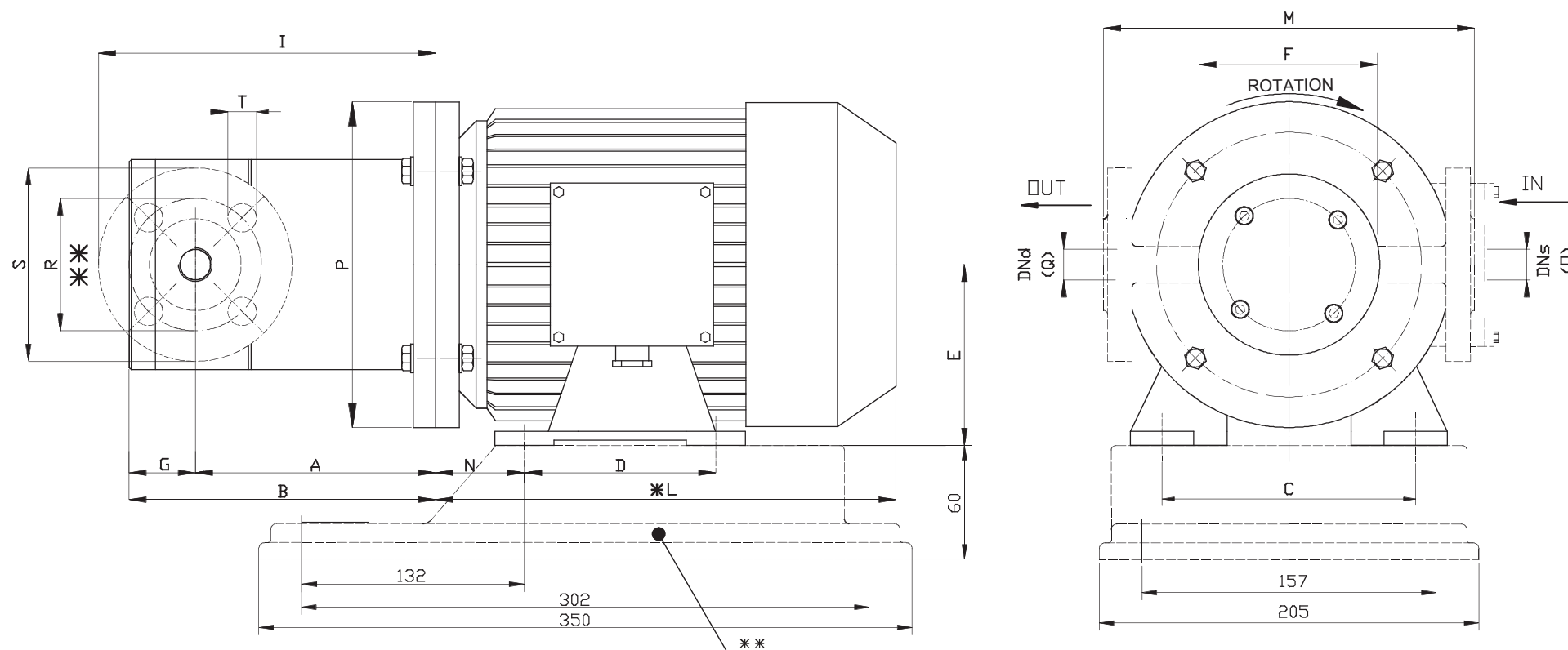


POS.	1	2	3	4	5	6	7	8	9	10	11	12	13	14
PART DESCR.	SET SCREWS	END COVER	O-RING	FLANGES STATOR VANES+PINS	ROTOR SHAFT	PUMP CASING	O-RING	O-RING	INTERNAL MAGNET	REAR CASING	EXTERNAL MAGNET	SET SCREWS	BRACKET	BEARING
MAT.	AIISI 304	PP PVDF	EPDM VITON	GRAPHITE+PVDF	PVDF	PP PVDF	EPDM VITON	EPDM VITON	PP PVDF	PP PVDF	C40+NdFeB	AIISI 304	ALUMINIUM	PTFEC

## CURVES/CURVE 50HZ-1450 RPM



DIMENSIONS/DIMENSIONI D'INGOMBRO



PUMP TYPE	MOTOR FLANGE B3-B5	POT. Kw	DIMENSIONS - mm -													** FLANGES DIMENSIONS-mm DN20 - PN 16					
			A	B	C	D	E	F	G	I	*L	M	N	(O)	P	(Q)	R	S	T	DNs	DNd
HPP-HPF 600-800-1000 PP-PVDF	G 90 S2	1.5	169	213	140	125	90	127	44	222	255	218	56	1/2"G.	200	1/2"G.	75	105	14	20	20

\* Different according to the manufacturer / Diverso a seconda del fornitore  
\*\* OPTIONAL-UPON REQUEST/SU RICHIESTA: Baseplate/Piede d'appoggio - Flanges/Flange