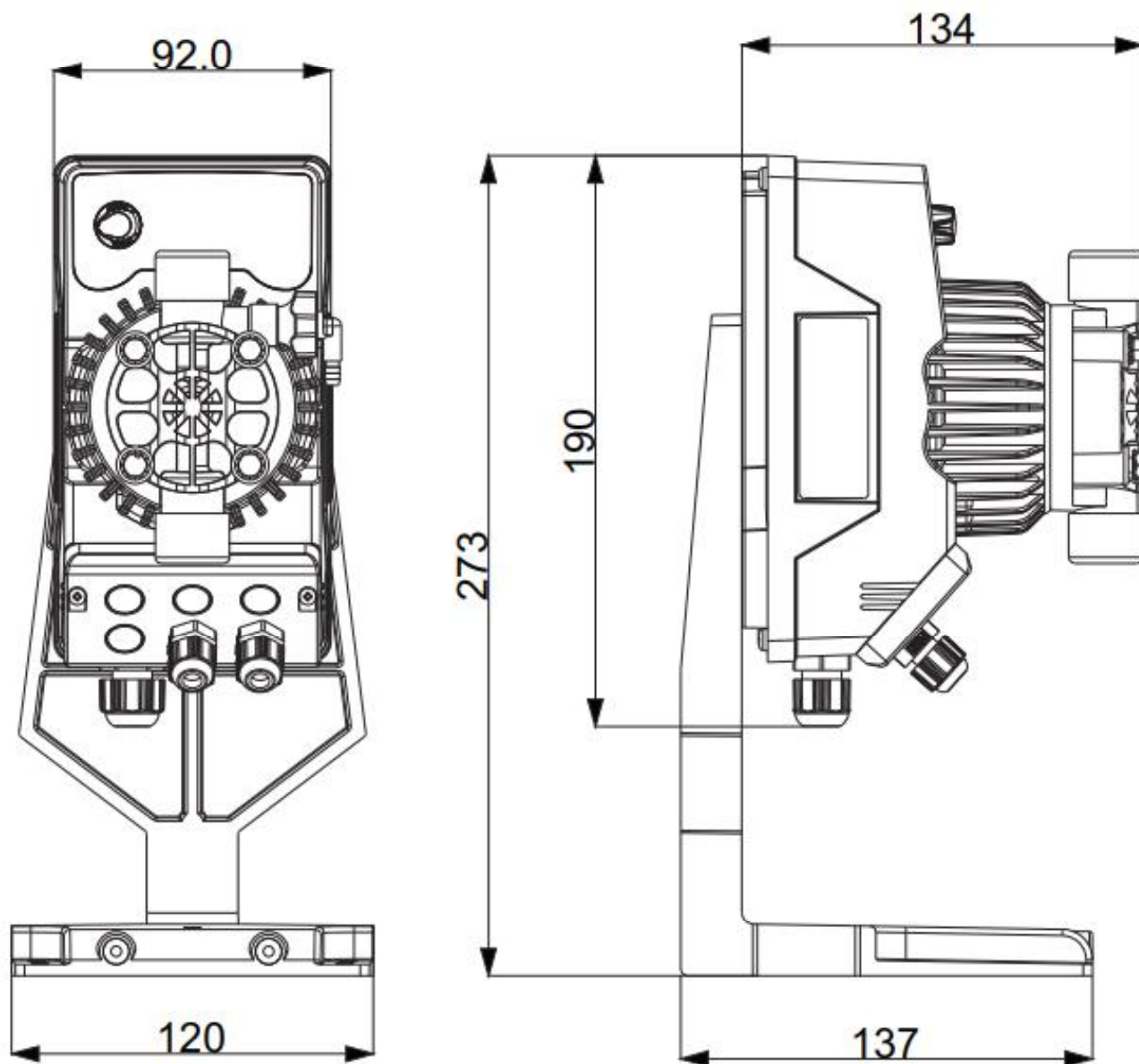


## DIMENSIONAL DRAWINGS



## TECHNICAL FEATURES

### FLOW RATES

5 l/h @ 8 bar  
3 l/h @ 10 bar  
9 l/h @ 2 bar  
1 l/h @ 7 bar

### POWER SUPPLY

AMS:230Vac,  
50Hz;AML/AMM/AMM:  
100-240Vac,50/60Hz

### STROKE RATE

160 strokes/minute

### ENCLOSURE

PP protection  
degree IP65

### INSTALLATION KIT

Included