



WATER TREATMENT DIVISION TAURUS SERIES

POMPE DOSATRICI ELETROMECCANICHE ELECTROMECHANIC DOSING PUMPS

CARATTERISTICHE TECNICHE TECHNICAL FEATURES

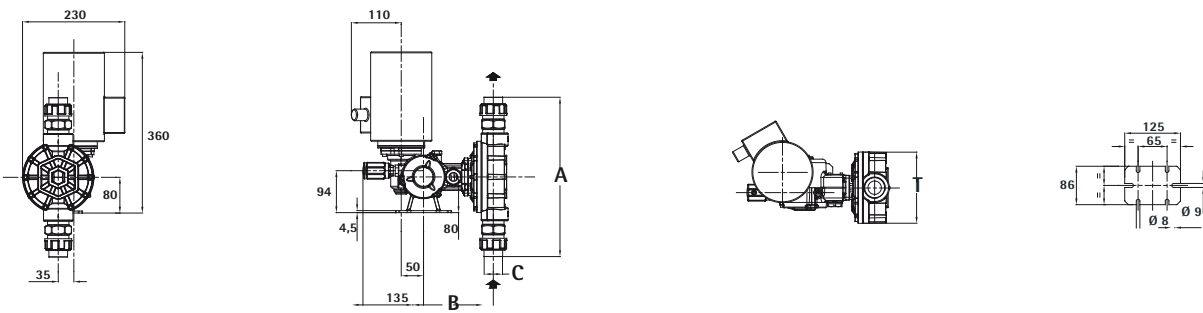
TM.2-4-6 DIAPHRAGM VERSION

MODELLI MODELS	Ø MEMBRANA Ø DIAPHRAGM	L.CORSA L.STROKE	COLPI/min. STROKES/min	PORTATE FLOW RATES	PRESSIONI PRESSURES	CONNESSIONI CONNECTIONS	PESI WEIGHTS SS316	PVC/PP/PVDF
TRIFASE THREE-PHASE 0,18kW - MONOFASE SINGLE-PHASE 0,25 kW								
TM02064A	64 mm	2 mm	58	5,5 lt/h	10 bar	1/4" g.f.	10,2 kg	8,5 kg
TM02064B	64 mm	2 mm	78	8,0 lt/h	10 bar	1/4" g.f.	10,2 kg	8,5 kg
TM02064C	64 mm	2 mm	116	11,0 lt/h	10 bar	1/4" g.f.	10,2 kg	8,5 kg
TRIFASE THREE-PHASE 0,25kW - MONOFASE SINGLE-PHASE 0,37 kW								
TM02094A	94 mm	2 mm	58	20,0 lt/h	10 bar	3/8" g.f.	10,7 kg	8,4 kg
TM02094B	94 mm	2 mm	78	26,0 lt/h	10 bar	3/8" g.f.	10,7 kg	8,4 kg
TM02094C	94 mm	2 mm	116	40,0 lt/h	10 bar	3/8" g.f.	10,7 kg	8,4 kg
TRIFASE THREE-PHASE 0,37kW - MONOFASE SINGLE-PHASE 0,55 kW								
TM04108A	108 mm	4 mm	58	60,0 lt/h	10 bar	3/8" g.f.	13,3 kg	10,1 kg
TM04108B	108 mm	4 mm	78	80,0 lt/h	10 bar	3/8" g.f.	13,3 kg	10,1 kg
TM04108C	108 mm	4 mm	116	120,0 lt/h	10 bar	3/8" g.f.	13,3 kg	10,1 kg
TM06138A	138 mm	6 mm	58	155,0 lt/h	7 bar	3/4" g.f.	18,4 kg	12,3 kg
TM06138B	138 mm	6 mm	78	220,0 lt/h	7 bar	3/4" g.f.	18,4 kg	12,3 kg
TM06138C	138 mm	6 mm	116	310,0 lt/h	7 bar	1" g.f.	18,4 kg	12,3 kg
TM06165A	165 mm	6 mm	58	230,0 lt/h	5 bar	1" g.f.	22,0 kg	13,2 kg
TM06165B	165 mm	6 mm	78	330,0 lt/h	5 bar	1" g.f.	22,0 kg	13,2 kg
TM06165C	165 mm	6 mm	116	460,0 lt/h	5 bar	1" g.f.	22,0 kg	13,2 kg

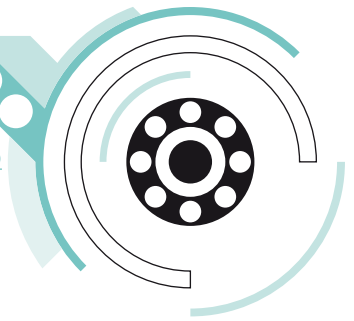
ESECUZIONI SPECIALI CORPI POMPA PVC PER ALTE PRESSIONI PVC PUMP HEAD SPECIAL EXECUTIONS FOR HIGH PRESSURES

PRESSIONE PRESSURE	Ø PISTONE Ø PISTON
16 bar	64 - 94 mm

DATI DIMENSIONALI DIMENSIONAL FEATURES



Ø MEMBRANA Ø DIAPHRAGM	SS316				PVC/PP/PVDF			
	A	B	C	T	A	B	C	T
65 mm	208	149	1/4" g.f.	98	150	144	1/4" g.f.	98
94 mm	236	144	3/8" g.f.	117	172	146	3/8" g.f.	120
108 mm	248	144	3/8" g.f.	131	212	146	3/8" g.f.	140
138 mm	347	158	3/4" g.f. - 1" g.f.	160	258	157	3/8" g.f. - 1" g.f.	170
165 mm	377	160	1" g.f.	193	296	157	1" g.f.	190



CARATTERISTICHE TECNICHE TECHNICAL FEATURES

TM.5 DIAPHRAGM VERSION

MODELLI MODELS	Ø MEMBRANA Ø DIAPHRAGM	COLPI/min. STROKES/min	PORTATE FLOW RATES	PRESSIONI PRESSURES		CONNESSIONI CONNECTIONS		PESI WEIGHTS	
				bar	psi	SS316	PVC	SS316	PVC/PP
TRIFASE THREE-PHASE 0,09kW									
TM05050E	50 mm	41	15,0 lt/h	5	72,5	1/2" g.m.	3/4" g.m.	5,3 kg	4,5 kg
TM05050A	50 mm	58	20,0 lt/h	5	72,5	1/2" g.m.	3/4" g.m.	5,3 kg	4,5 kg
TM05050F	50 mm	82	30,0 lt/h	5	72,5	1/2" g.m.	3/4" g.m.	5,3 kg	4,5 kg
TM05050C	50 mm	116	42,0 lt/h	5	72,5	1/2" g.m.	3/4" g.m.	5,3 kg	4,5 kg
TM05050G	50 mm	160	60,0 lt/h	5	72,5	1/2" g.m.	3/4" g.m.	5,3 kg	4,5 kg

Disponibile la versione **MONOFASE** a max 1 bar
SINGLEPHASE version available at max 1 bar

DATI DIMENSIONALI DIMENSIONAL FEATURES

